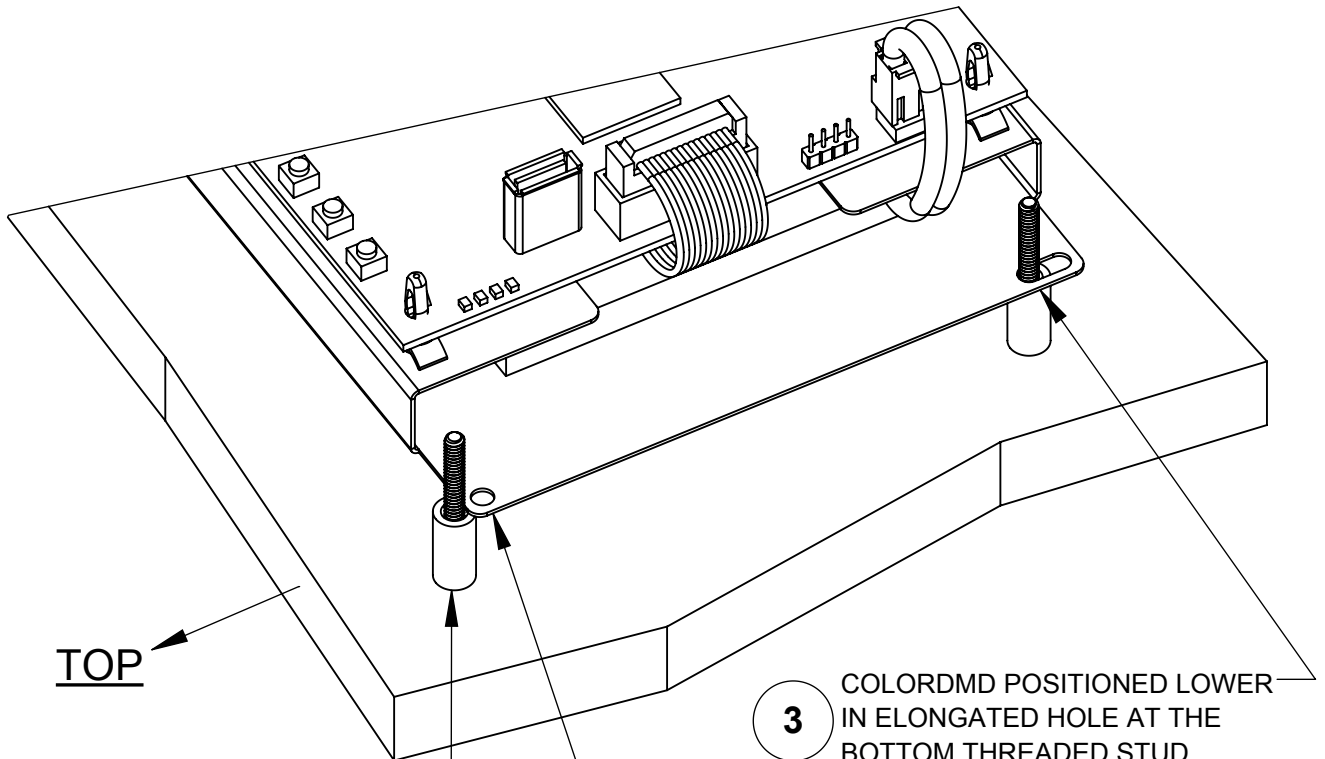




COLORDMD

Mounting Instructions
for **Safe Cracker**

ALTERNATE COLORDMD CHROMA (LED) MOUNTING OPTION FOR SAFE CRACKER IF TOP ROW(S) OF ORIGINAL ORANGE DMD ARE OBSCURED BY TRANSLITE AT PLAYER'S LINE OF SIGHT.

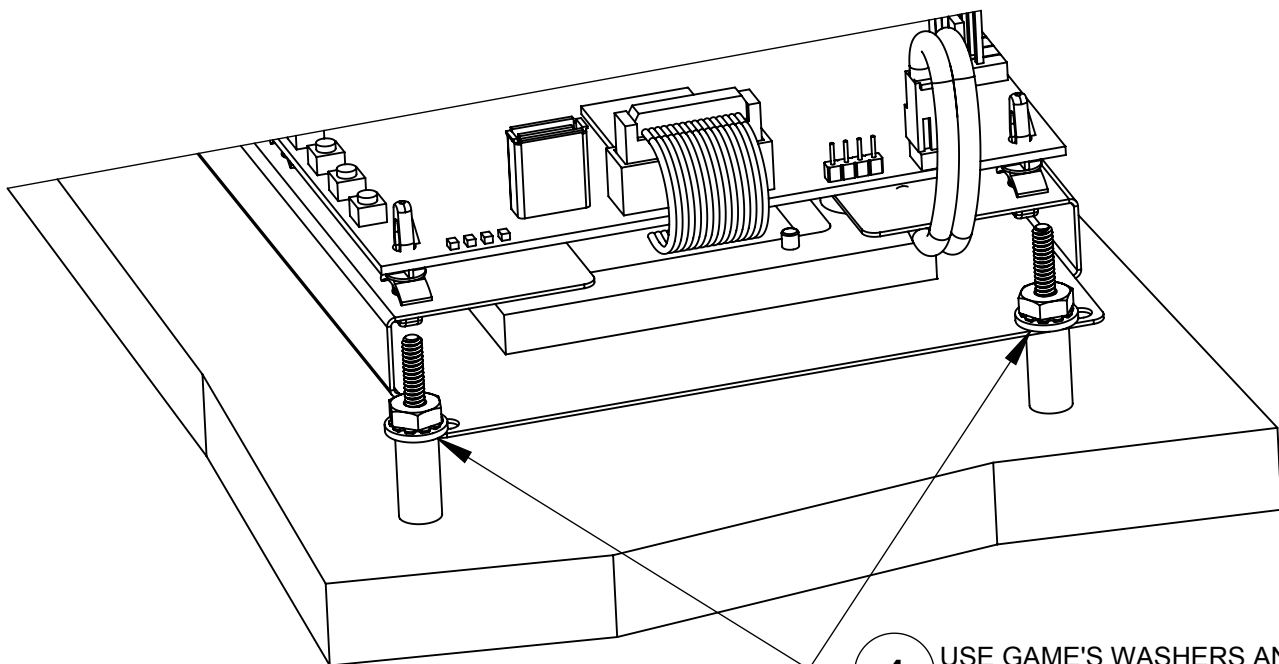


TOP

1 USE GAME'S PLASTIC SPACERS
(OR 1/4" SPACERS IF AVAILABLE)

2 COLORDMD BUTTED UP AGAINST
THE TOP THREADED STUD AND
SITTING ON PLASTIC SPACER

3 COLORDMD POSITIONED LOWER
IN ELONGATED HOLE AT THE
BOTTOM THREADED STUD



4 USE GAME'S WASHERS AND
LOCK NUTS TO SECURE COLORDMD