



COLORDMD

Installation Instructions for **WPC - CHROMA**

Congratulations on the purchase of a new ColorDMD display. The ColorDMD will enhance your pinball machine by introducing *color* to the dot matrix display graphics produced by the game.

Tools Required:

- Phillips Screwdriver
- 5/16" nut driver
- 1/4" nut driver (if game has a lamp board mounted to the speaker panel)



*Be sure to turn **OFF** the power to the pinball machine before installing the ColorDMD display.*

STEP **1** Carefully remove the translite from the backbox and then lower the speaker panel to the position shown in Fig. A to gain access to the backbox.

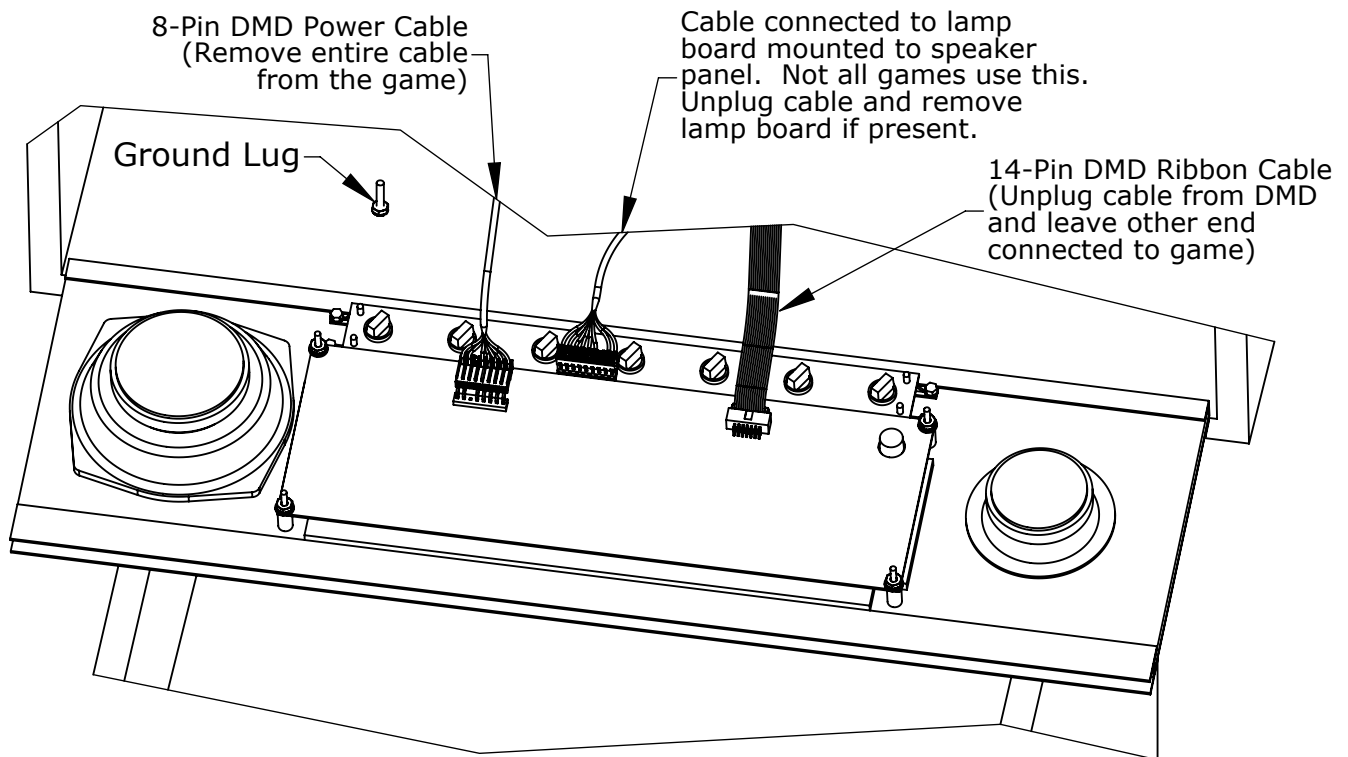


Figure A

STEP **2** Disconnect the DMD power and ribbon cables from the DMD. Unplug the DMD power cable from the high-voltage A/V board J-604 (see Fig. E), and **remove this cable from the backbox.**

STEP **3** Remove and save all of the DMD mounting hardware. Remove the original DMD from the game and store it in a safe place.

STEP **4** If pinball machine has a lamp board mounted to the speaker panel, disconnect cable and remove the lamp board (see Fig. A). Store lamp board and mounting hardware in a safe place.

STEP **5** Remove the protective film from the front side of the new ColorDMD display.

STEP **6** Install one 1/4" Spacer on each of the four threaded studs and then position the ColorDMD face down (in the orientation shown in Fig. B) on the speaker panel and align the four WPC mounting holes (see Fig. C).

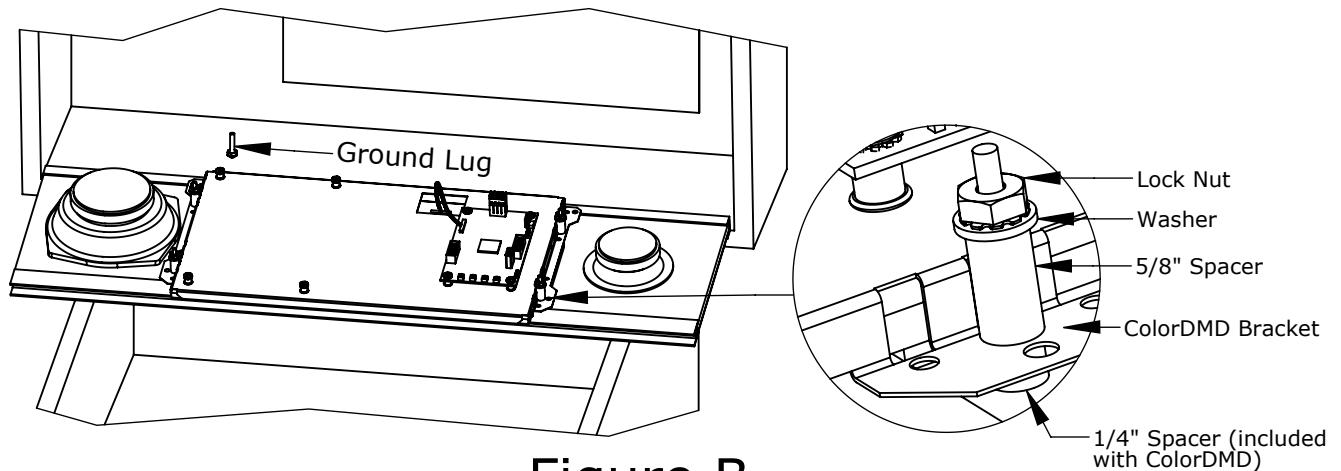


Figure B

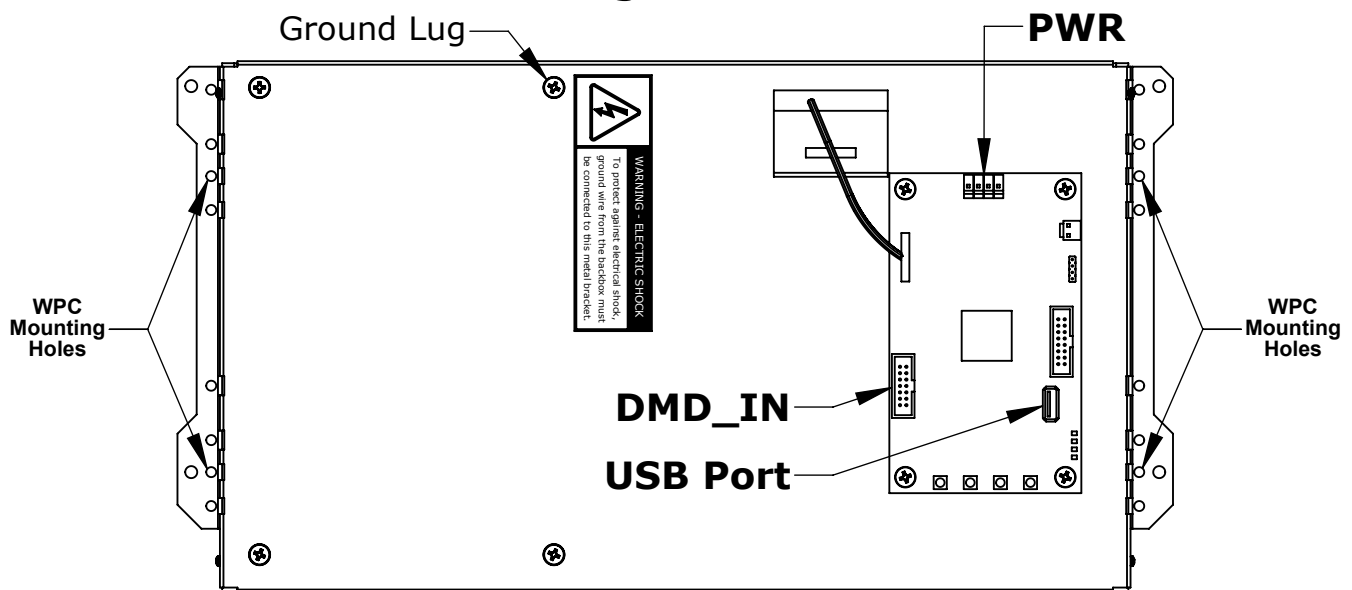


Figure C

STEP **7** Use the original DMD mounting hardware from Step 3 to fasten the ColorDMD display to the speaker panel. See Fig. B for correct stacking order of the hardware.

STEP **8** Locate the included green ColorDMD ground cable and connect the Ground Lug on the metal bracket (see Fig. C) to the Ground Lug in the backbox (see Fig. B).



WARNING. Electric Shock Hazard - To protect against accidental electric shock, **DO NOT** operate the game without ensuring that the ColorDMD metal bracket is electrically grounded.

STEP **9** Locate the included 4-pin ColorDMD power cable. One end of the cable has a single connector (see Fig. D). Plug this connector into the PWR header (see Fig. C) on the ColorDMD.

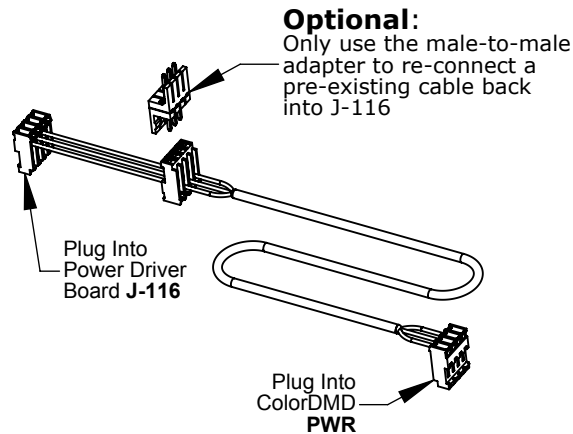
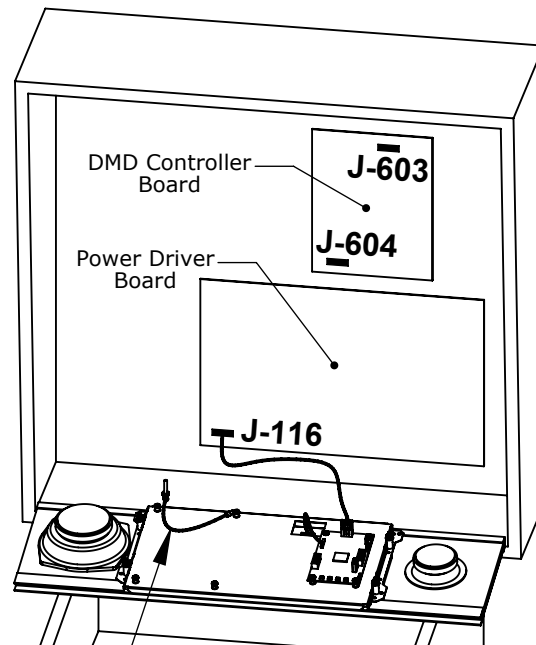


Figure D

STEP **10** Plug the other end of the new ColorDMD Power Cable (see Fig. D) into J-116 on the WPC Power Driver Board (see Fig. E). If an existing cable is currently plugged into J-116, disconnect it before connecting the ColorDMD power cable.

TIP Route the new ColorDMD Power Cable along with the existing game cables for a clean install.



ColorDMD Ground Cable securely installed.

Figure E

STEP **11** If you disconnected a cable from J-116 in the previous step, use the included male-to-male adapter to re-connect this cable to the available center connector on the ColorDMD power cable (see Fig. D). Otherwise, do not connect the male-to-male adapter and store it in a safe place.

- STEP **12** Plug the 14-Pin ribbon cable into DMD_IN on the ColorDMD with the **red stripe nearest the top side** of the speaker panel (see Fig. F). The other end of this cable should still be plugged into J-603 on the DMD Controller Board with red stripe on the left-hand side (see Fig. E).

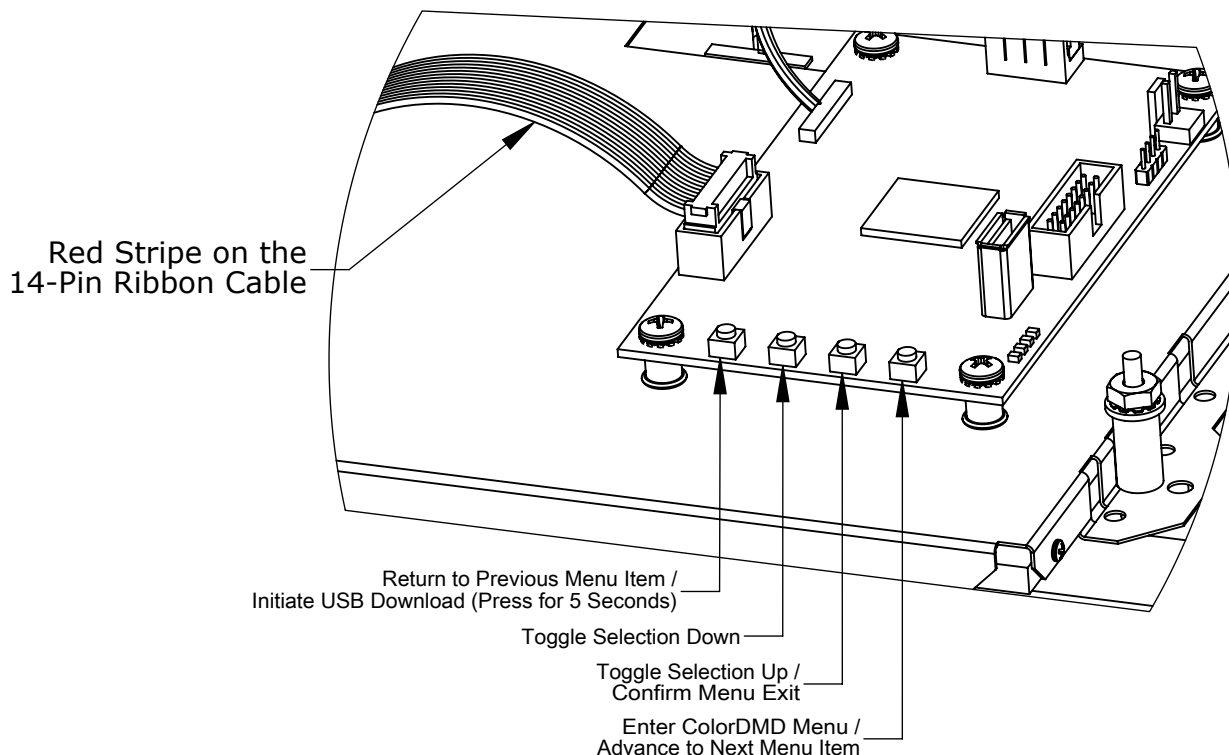


Figure F

- STEP **13** If pinball machine has a lamp board mounted to the speaker panel that was removed in Step 4, re-attach the lamp board to the speaker panel below the ColorDMD Display.



*Double check for proper alignment of **all** cable connections.*

- STEP **14** While ensuring no wires get pinched, raise the speaker panel and turn on the pinball machine.

- STEP **15** Locate and press the right-most *ColorDMD Menu* button (See Fig. F) to customize the display settings. Continue pressing the button to advance to the "MOUNTING" menu. Next use the *Toggle Selection Up* button to change the setting to "WPC".

- STEP **16** Press the right-most button to advance to the "EXIT AND SAVE" menu. Press the *Confirm Menu Exit* button to save settings and return to game mode. Video should appear on the new ColorDMD Display. Game is now ready to play. Have fun!

For additional information regarding display settings please visit our website at www.colordmd.com.