



ColorDMD LED Display Installation Instructions for **S.A.M.**

Congratulations on the purchase of a new ColorDMD display. The ColorDMD will enhance your pinball machine by introducing *color* to the dot matrix display graphics produced by the game.

Tools Required:

- Phillips Screwdriver
- 1/4" Nut Driver



Be sure to turn **OFF** the power to the pinball machine before installing the ColorDMD LED display.

STEP **1**

Disconnect the DMD Power and Ribbon Cables from the DMD. **Completely remove the DMD Power Cable from the game by unplugging the other end in the backbox.**



WARNING. Electric Shock Hazard - To protect against accidental electric shock, **DO NOT** operate the game without ensuring that the ColorDMD metal bracket is electrically grounded.

STEP **2**

Remove the original DMD assembly from the game and store it in a safe place. If the pinball machine has a transparent colored plastic film attached to the wooden speaker panel, carefully remove and store it with original DMD.

STEP **3**

Using the original DMD mounting hardware, install the ColorDMD LED with UP Arrow facing top edge of speaker panel (see Fig. A). *Note: Reattach original ground cables to ColorDMD LED bracket at bare metal mounting screw holes located at the bottom edge.*

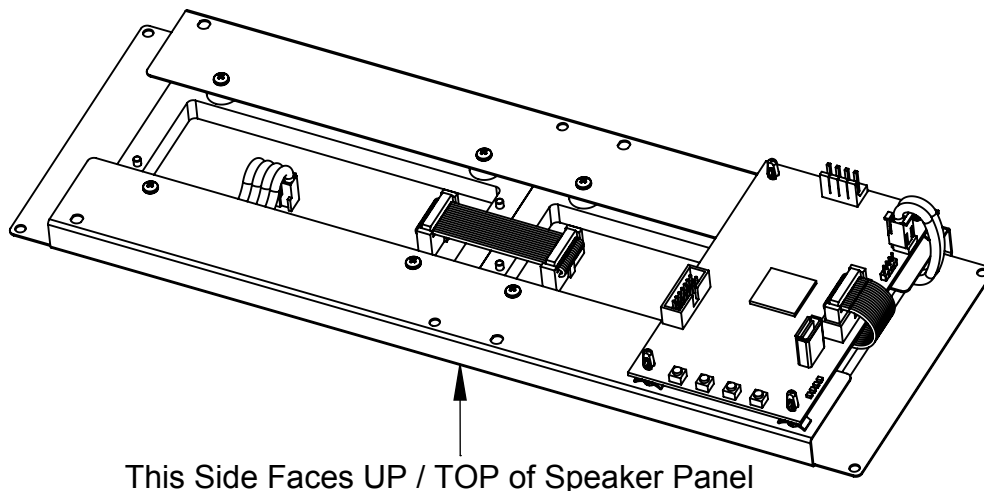


Figure A

STEP **4** Locate the ColorDMD Power Harness in the accessory bag. One end of the included ColorDMD Power Harness has a single connector (see Fig. B). Plug this connector into the PWR header on the ColorDMD circuit board (see Fig. D).

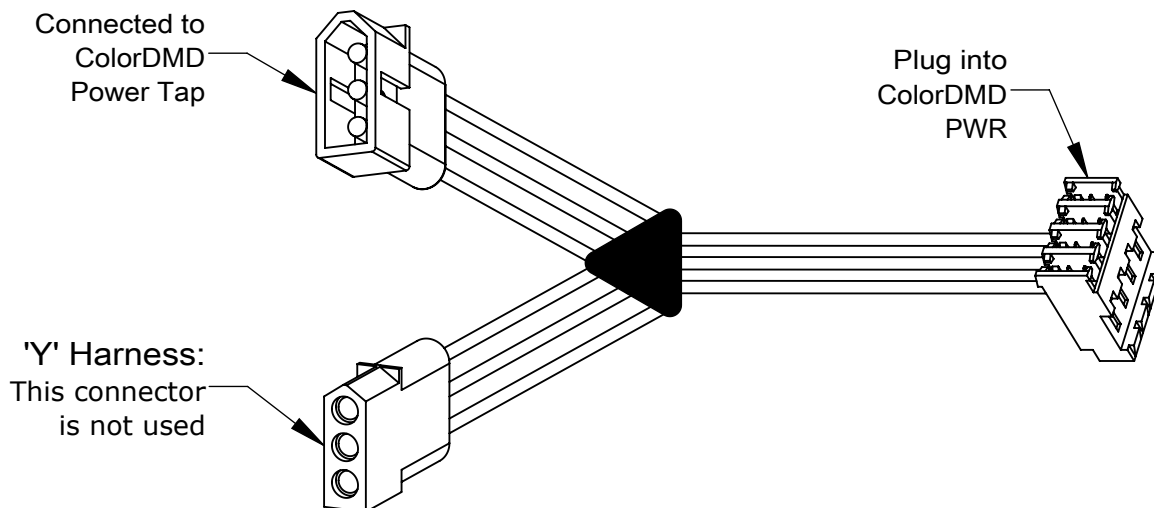


Figure B

STEP **5** Route the other end of the new ColorDMD Power Harness down through bottom of backbox into the cabinet and over to the front right-hand side of the game. (see Fig. C).

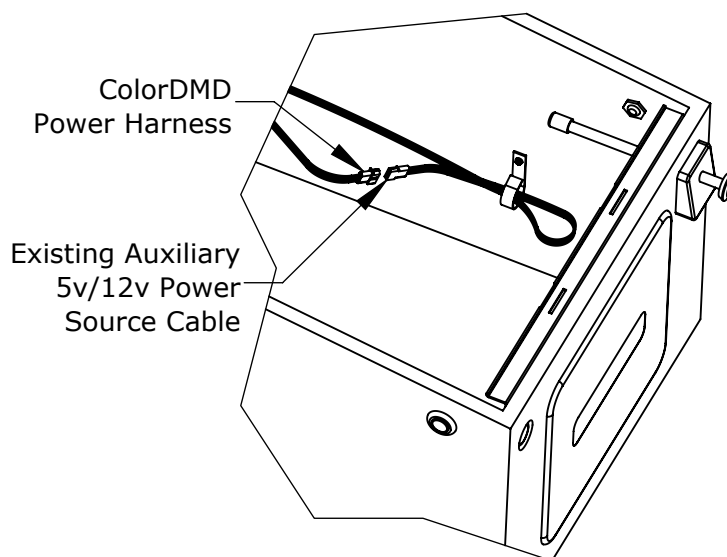


Figure C

STEP **6** Plug ColorDMD Power Cable into the auxiliary 5v/12v power source connector (See Fig. C). If an existing cable is currently plugged into this connector, disconnect it and plug it into the other end of the ColorDMD Power Cable 'Y' harness (See Fig. B).

TIP

Route the new ColorDMD Power Cable inside the cabinet along with other existing cables for a clean install.

STEP **7**

Plug the 14-Pin ribbon cable into DMD_IN on the ColorDMD with the **red stripe nearest the top side** of the speaker panel (see Fig. D). The other end of this cable should still be plugged into J-5 on the CPU/Sound Board with red stripe facing down.



*Double check for proper alignment of **all** cable connections.*

STEP **8**

While ensuring no wires get pinched, raise the speaker panel and turn on the pinball machine.

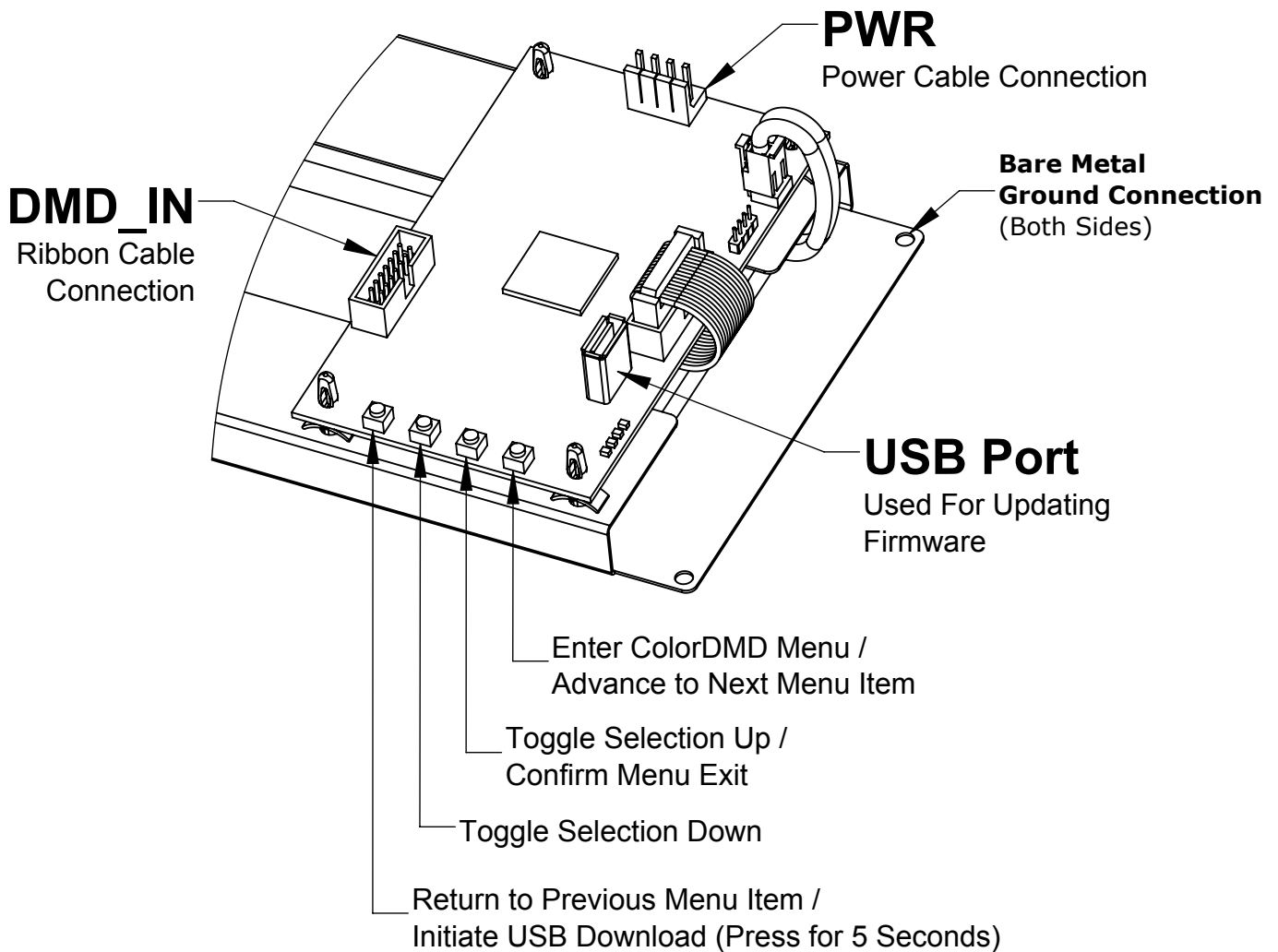


Figure D

STEP **9**

Press the right-most ColorDMD LED push-button to customize the display settings. When finished press the Confirm push-button to "EXIT AND SAVE".

For additional information regarding display settings please visit our website at www.colordmd.com.