



ColorDMD LED Display Installation Instructions for **White Star**

Congratulations on the purchase of a new ColorDMD display. The ColorDMD will enhance your pinball machine by introducing *color* to the dot matrix display graphics produced by the game.

Tools Required:

- Phillips Screwdriver
- 1/4" Nut Driver



Be sure to turn **OFF** the power to the pinball machine before installing the ColorDMD LED display.

STEP **1**

Remove the original DMD from the pinball machine. Insulate the disconnected original DMD high power cable with electrical tape. Also disconnect the 5v power cable at J-3 on the Display Controller Board in the backbox.



WARNING. Electric Shock Hazard - To protect against accidental electric shock, **DO NOT** operate the game without ensuring that the ColorDMD metal bracket is electrically grounded.

STEP **2**

Remove Display Controller Board from back of original DMD. Using the 4 Nylon snap-in PCB posts supplied in the ColorDMD accessory bag, fasten the Display Controller Board to the ColorDMD in the orientation shown in Fig. A. **Ensure the RF Shield (if present) remains under the Display Controller Board with metallic side facing down.**

STEP **3**

Using the original DMD mounting hardware, install the ColorDMD LED with UP Arrow facing top edge of speaker panel (see Fig. A). *Note: Reattach original ground cables to ColorDMD LED bracket at bare metal mounting screw holes located at the bottom edge.*

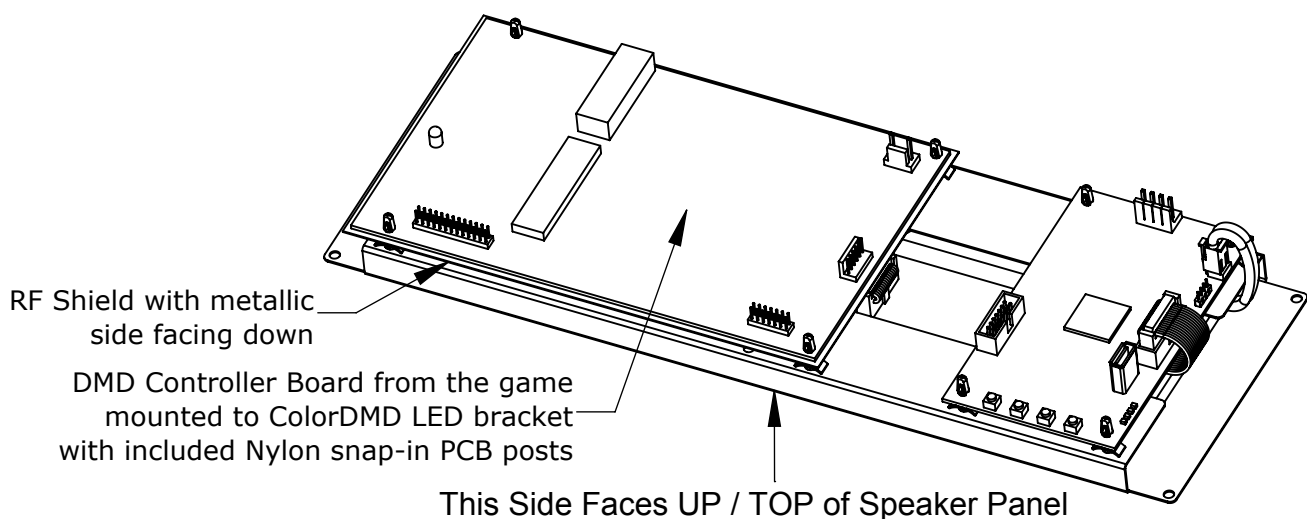


Figure A

- STEP **4** Locate the ColorDMD Power Harness in the accessory bag. One end of the included ColorDMD Power Harness has a single connector (see Fig. B). Plug this connector into the PWR header on the ColorDMD circuit board (see Fig. D).

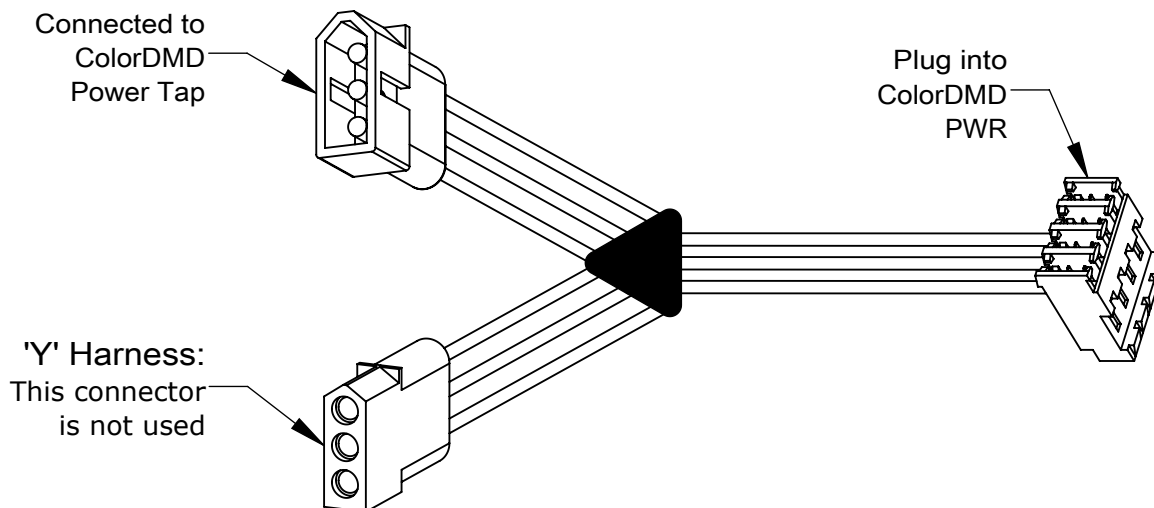


Figure B

- STEP **5** Route the other end of the new ColorDMD Power Harness down through bottom of backbox into the cabinet and over to the front right-hand side of the game. (see Fig. C).

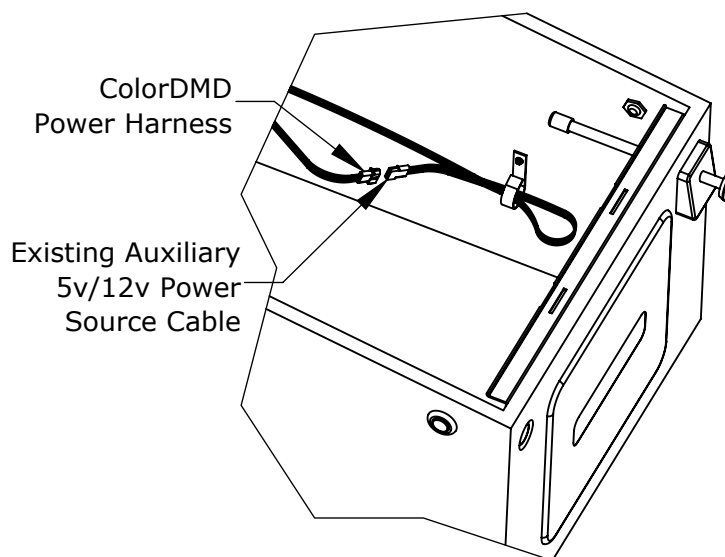


Figure C

- STEP **6** Plug ColorDMD Power Cable into the auxiliary 5v/12v power source connector (See Fig. C). If an existing cable is currently plugged into this connector, disconnect it and plug it into the other end of the ColorDMD Power Cable 'Y' harness (See Fig. B).

TIP

Route the new ColorDMD Power Cable inside the cabinet along with other existing cables for a clean install.

STEP **7** Plug the included 6" ColorDMD 14-Pin ribbon cable into DMD_IN (see Fig. D) on the ColorDMD with the **red stripe nearest the top side**. The other end of this cable should be plugged into J-2 on the Display Controller Board with **red stripe facing towards the right**.

STEP **8** Reconnect the **5v power cable to J-3** and the **26-pin ribbon cable to J-1 with red stripe facing the left-hand side of the Display Controller Board**.

! *Double check for proper alignment of **all** cable connections.*

STEP **9** While ensuring no wires get pinched, raise the speaker panel and turn on the pinball machine.

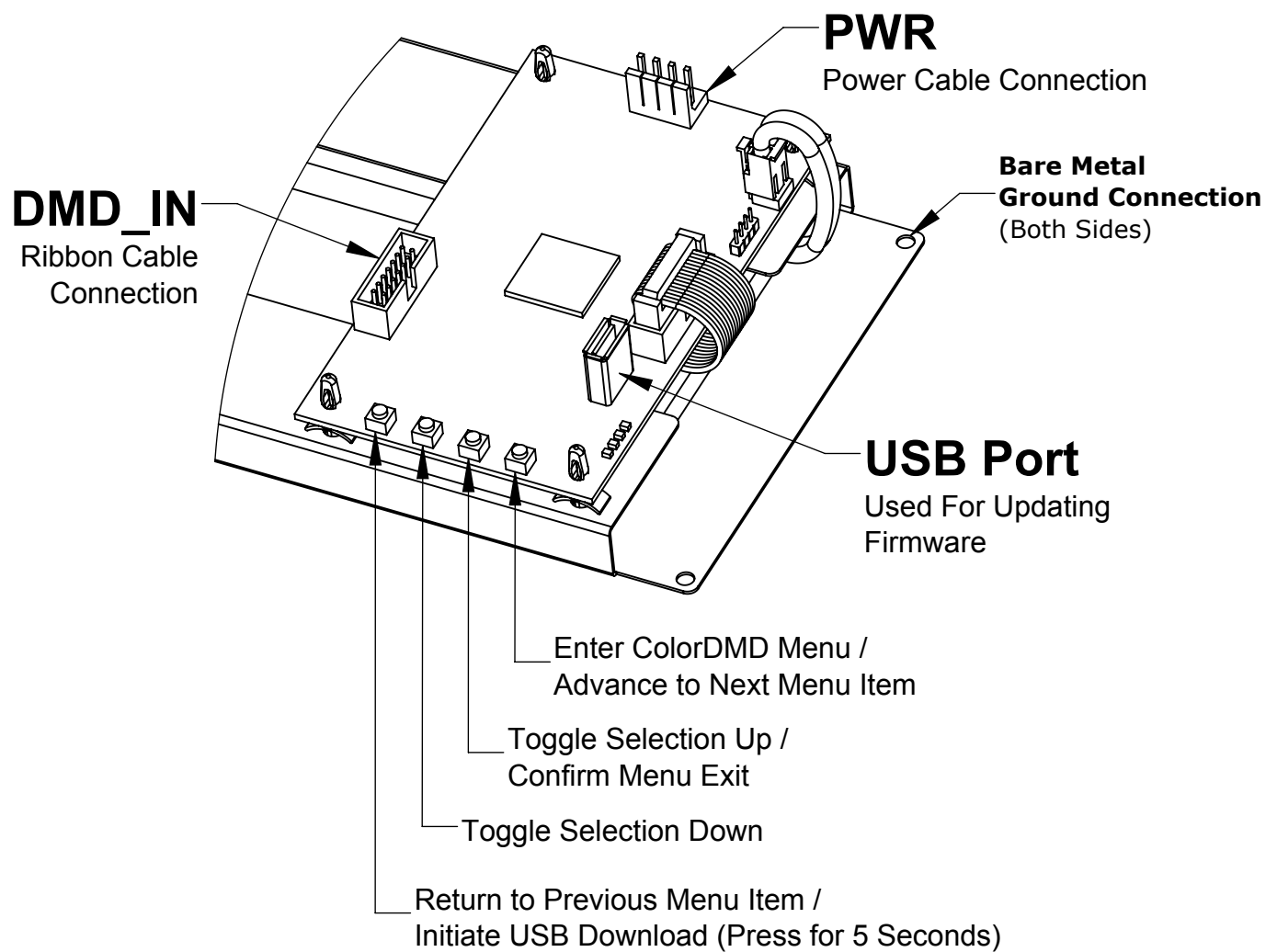


Figure D

STEP **10** Press the right-most ColorDMD LED push-button to customize the display settings. When finished press the Confirm push-button to "EXIT AND SAVE".

For additional information regarding display settings please visit our website at www.colordmd.com.